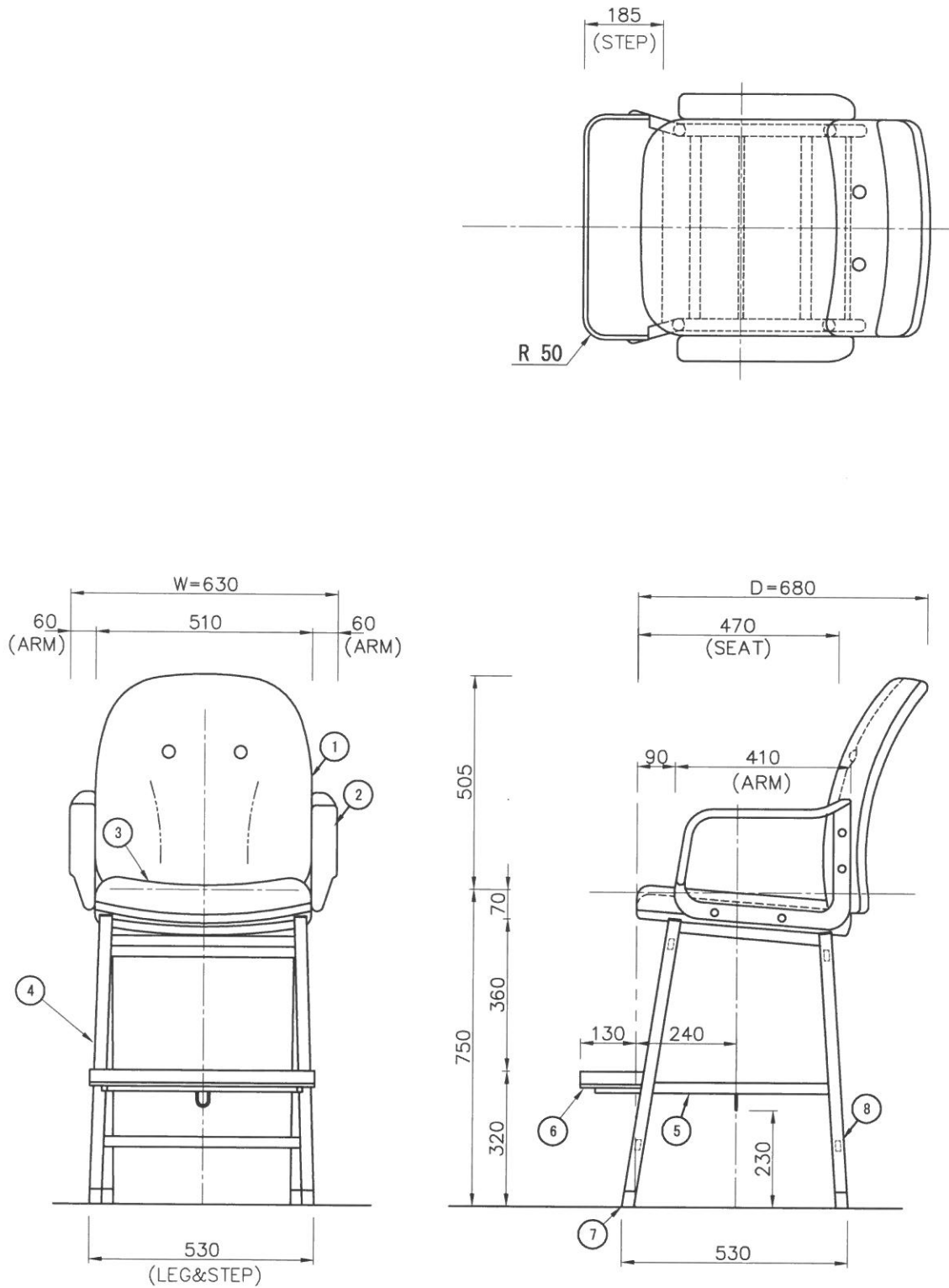


PILOT CHAIR (506P)

TITLE.



③	SEAT	FRONT COVER ; ~VINYL LEATHER (DARK BROWN COLOR) & URETHANE FOAM	⑧	BARS	REINFORCED STEEL BAR
		BACK COVER ; ~NON-WOVEN (BLACK COLOR)			⑦
②	ARM REST	PLASTIC (BLACK COLOR)	⑥	STEP	WOODEN RONRIUM PLANE (3159)
①	BACK REST	FRONT COVER ; ~VINYL LEATHER (DARK BROWN COLOR) & URETHANE FOAM	⑤	REINF.FRAME	12x25 STEEL PIPE BAKED ENAMEL (IVORY COLOR)
		BACK COVER ; ~VINYL LEATHER (DARK BROWN COLOR) & URETHANE FOAM			④
MARK	NAME	MATERIAL	MARK	NAME	MATERIAL